

2. Specifications

Ceiling Suspended Type

Model			FXHQ32MVE	FXHQ63MVE	FXHQ100MVE
★1 Cooling Capacity (19.5°CWB)		kcal/h	3,150	6,300	10,000
		Btu/h	12,500	25,000	39,700
		kW	3.7	7.3	11.6
★2 Cooling Capacity (19.0°CWB)		kW	3.6	7.1	11.2
★3 Heating Capacity		kcal/h	3,400	6,900	10,800
		Btu/h	13,600	27,300	42,700
		kW	4.0	8.0	12.5
Casing Color			White (10Y9/0.5)	White (10Y9/0.5)	White (10Y9/0.5)
Dimensions: (H×W×D)		mm	195×960×680	195×1,160×680	195×1,400×680
Coil (Cross Fin Coil)	Rows×Stages×Fin Pitch	mm	2×12×1.75	3×12×1.75	3×12×1.75
	Face Area	m ²	0.182	0.233	0.293
Fan	Model		3D12K1AA1	4D12K1AA1	3D12K2AA1
	Type		Sirocco Fan	Sirocco Fan	Sirocco Fan
	Motor Output × Number of Units	W	62×1	62×1	130×1
	Air Flow Rate (H/L)	m ³ /min	12/10	17.5/14	25/19.5
		cfm	424/353	618/494	883/688
Drive			Direct Drive	Direct Drive	Direct Drive
Temperature Control			Microprocessor Thermostat for Cooling and Heating	Microprocessor Thermostat for Cooling and Heating	Microprocessor Thermostat for Cooling and Heating
Sound Absorbing Thermal Insulation Material			Glass Wool	Glass Wool	Glass Wool
Air Filter			Resin Net (with Mold Resistant)	Resin Net (with Mold Resistant)	Resin Net (with Mold Resistant)
Piping Connections	Liquid Pipes	mm	φ6.4 (Flare Connection)	φ9.5 (Flare Connection)	φ9.5 (Flare Connection)
	Gas Pipes	mm	φ12.7 (Flare Connection)	φ15.9 (Flare Connection)	φ15.9 (Flare Connection)
	Drain Pipe	mm	VP20 (External Dia. 26 Internal Dia. 20)	VP20 (External Dia. 26 Internal Dia. 20)	VP20 (External Dia. 26 Internal Dia. 20)
Machine Weight		kg	24	28	33
★5 Sound Level (H/L)		dBA	36/31	39/34	45/37
Safety Devices			Fuse, Thermal Protector for Fan Motor	Fuse, Thermal Protector for Fan Motor	Fuse, Thermal Protector for Fan Motor
Refrigerant Control			Electronic Expansion Valve	Electronic Expansion Valve	Electronic Expansion Valve
Connectable outdoor unit			R410A M Series	R410A M Series	R410A M Series
Standard Accessories			Operation Manual, Installation Manual, Paper Pattern for Installation, Drain Hose, Clamp Metal, Insulation for Fitting, Clamps, Washers.	Operation Manual, Installation Manual, Paper Pattern for Installation, Drain Hose, Clamp Metal, Insulation for Fitting, Clamps, Washers.	Operation Manual, Installation Manual, Paper Pattern for Installation, Drain Hose, Clamp Metal, Insulation for Fitting, Clamps, Washers.
Drawing No.			3D038815		

Notes:

- ★1 Indoor temp. : 27°CDB, 19.5°CWB / outdoor temp.: 35°CDB / Equivalent piping length: 7.5m, level difference: 0m.
- ★2 Indoor temp. : 27°CDB, 19.0°CWB / outdoor temp.: 35°CDB / Equivalent piping length: 7.5m, level difference: 0m.
- ★3 Indoor temp. : 20°CDB / outdoor temp.: 7°CDB, 6°CWB / Equivalent piping length; 7.5m, level difference; 0m. (Heat pump only)
- 4 Capacities are net, including a deduction for cooling (an addition for heating) for indoor fan motor heat.
- ★5 Anechoic chamber conversion value, measured under JISB8616 conditions. During actual operation, these values are normally somewhat higher as a result of ambient conditions.
- 6 Refer to page 281 for Fan Motor Input.

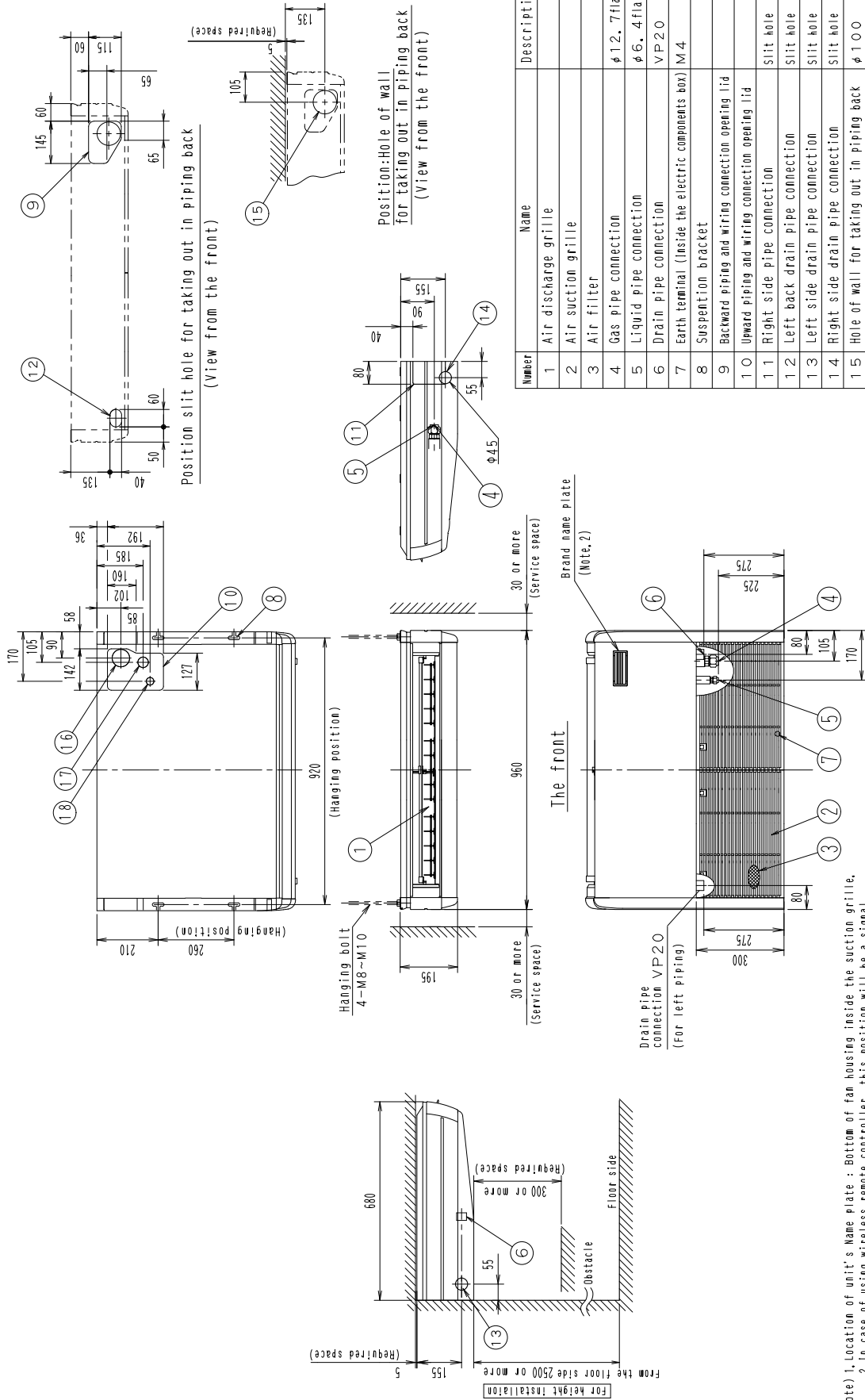
Conversion Formulae

kcal/h=kW×860
Btu/h=kW×3414
cfm=m³/min×35.3

3. Dimensions

FXHQ32M

Unit (mm)



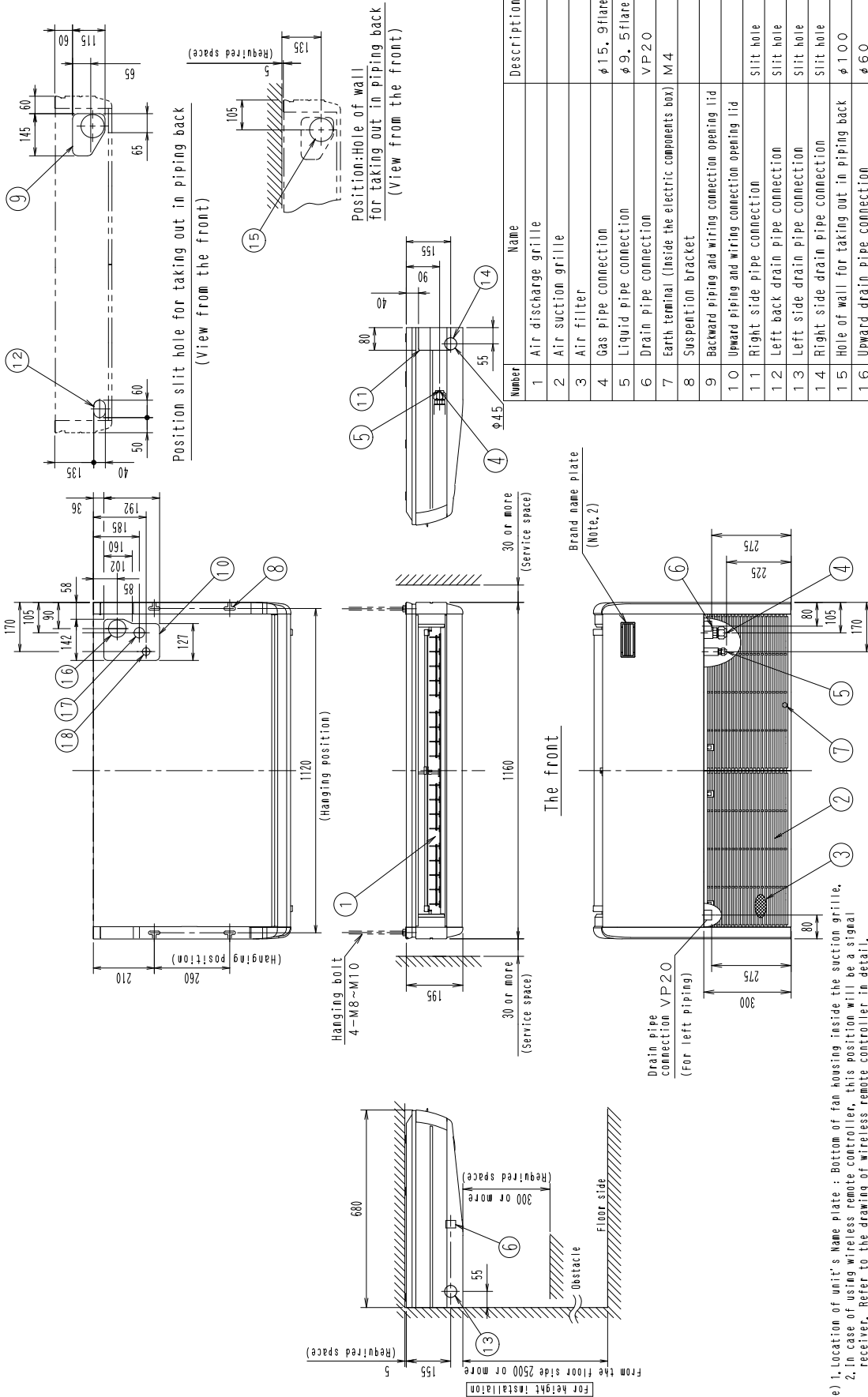
Number	Name	Description
1	Air discharge grille	
2	Air suction grille	
3	Air filter	
4	Gas pipe connection	φ 12.7 flare
5	Liquid pipe connection	φ 6.4 flare
6	Drain pipe connection	VP20
7	Earth terminal (Inside the electric components box)	M4
8	Suspension bracket	
9	Backward piping and wiring connection opening lid	
10	Upward piping and wiring connection opening lid	
11	Right side pipe connection	Slit hole
12	Left back drain pipe connection	Slit hole
13	Left side drain pipe connection	Slit hole
14	Right side drain pipe connection	Slit hole
15	Hole of wall for taking out in piping back	φ 100
16	Upward drain pipe connection	φ 60
17	Upward gas pipe connection	φ 3.6
18	Upward liquid pipe connection	φ 2.6

3D038855

Note) 1. Location of unit's Name plate : Bottom of fan housing inside the suction grille.
 2. In case of using wireless remote controller, this position will be a signal receiver. Refer to the drawing of wireless remote controller in detail.
 3. The remote control code is the standard <about 3m outside the machine> attached. (0, 5mm×2wicks×0, D, φ 5, 4) (It is not attached to VRV.)

FXHQ63M

Unit(mm)



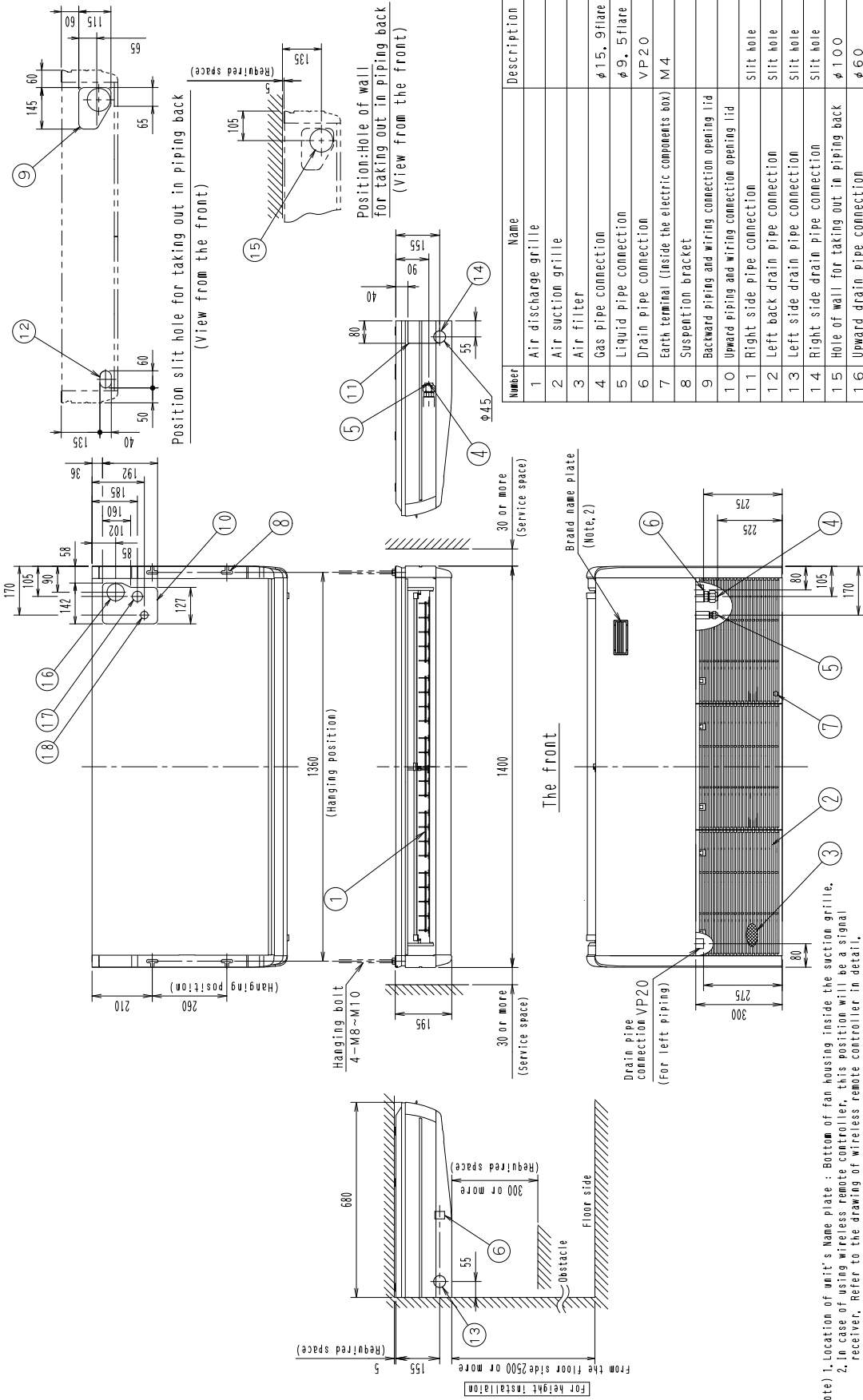
Number	Name	Description
1	Air discharge grille	
2	Air suction grille	
3	Air filter	
4	Gas pipe connection	φ15.9 flare
5	Liquid pipe connection	φ9.5 flare
6	Drain pipe connection	VP20
7	Earth terminal (Inside the electric components box)	M4
8	Suspention bracket	
9	Backward piping and wiring connection opening lid	
10	Upward piping and wiring connection opening lid	
11	Right side pipe connection	Slit hole
12	Left back drain pipe connection	Slit hole
13	Left side drain pipe connection	Slit hole
14	Right side drain pipe connection	Slit hole
15	Hole of wall for taking out in piping back	φ100
16	Upward drain pipe connection	φ60
17	Upward gas pipe connection	φ36
18	Upward liquid pipe connection	φ26

Note) 1. Location of unit's Name plate : Bottom of fan housing inside the suction grille.
 2. In case of using wireless remote controller, this position will be a signal receiver. Refer to the drawing of wireless remote controller in detail.
 3. The remote control code is the standard <about 3m outside the machine> attached. (0.5mm×2mm×0.4φ.φ5.4) (It is not attached to VRV.)

3D038856

FXHQ100M

Unit(mm)



Number	Name	Description
1	Air discharge grille	
2	Air suction grille	
3	Gas pipe connection	φ 15, 9flare
4	Liquid pipe connection	φ 9, 5flare
5	Drain pipe connection	VP20
6	Earth terminal (inside the electric components box)	M 4
7	Suspention bracket	
8	Backward piping and wiring connection opening lid	
9	Upward piping and wiring connection opening lid	
10	Right side pipe connection	slit hole
11	Left back drain pipe connection	slit hole
12	Left side drain pipe connection	slit hole
13	Right side drain pipe connection	slit hole
14	Hole of wall for taking out in piping back	φ 100
15	Upward drain pipe connection	φ 60
16	Upward gas pipe connection	φ 36
17	Upward liquid pipe connection	φ 26
18		

Note) 1. Location of unit's Name plate : Bottom of fan housing inside the suction grille.
 2. In case of using wireless remote controller, this position will be a signal receiver. Refer to the drawing of wireless remote controller in detail.
 3. The remote control code is the standard <about 3m outside the machine> attached. (0, 5MP×2wicks×0, φ 3, 4) (It is not attached to VHV.)

3D038857