

## 2. Specifications

### Ceiling Mounted Cassette Corner Type

Model		FXKQ25MVE	FXKQ32MVE	FXKQ40MVE	FXKQ63MVE	
★1 Cooling Capacity (19.5°CWB)	kcal/h	2,500	3,150	4,000	6,300	
	Btu/h	9,900	12,500	15,900	25,000	
	kW	2.9	3.7	4.7	7.3	
★2 Cooling Capacity (19.0°CWB)	kW	2.8	3.6	4.5	7.1	
★3 Heating Capacity	kcal/h	2,800	3,400	4,300	6,900	
	Btu/h	10,900	13,600	17,000	27,300	
	kW	3.2	4.0	5.0	8.0	
Casing		Galvanized Steel Plate	Galvanized Steel Plate	Galvanized Steel Plate	Galvanized Steel Plate	
Dimensions: (HxWxD)		mm 215x1,110x710	215x1,110x710	215x1,110x710	215x1,310x710	
Coil (Cross Fin Coil)	RowsxStagesxFin Pitch	mm 2x11x1.75	2x11x1.75	2x11x1.75	3x11x1.75	
	Face Area	m <sup>2</sup> 0.180	0.180	0.180	0.226	
Fan	Model		3D12H1AN1V1	3D12H1AN1V1	3D12H1AP1V1	4D12H1AJ1V1
	Type		Sirocco Fan	Sirocco Fan	Sirocco Fan	Sirocco Fan
	Motor Output x Number of Units	W	15x1	15x1	20x1	45x1
	Air Flow Rate (H/L)	m <sup>3</sup> /min	11/9	11/9	13/10	18/15
		cfm	388/318	388/318	459/353	635/530
Drive		Direct Drive	Direct Drive	Direct Drive	Direct Drive	
Temperature Control		Microprocessor Thermostat for Cooling and Heating	Microprocessor Thermostat for Cooling and Heating	Microprocessor Thermostat for Cooling and Heating	Microprocessor Thermostat for Cooling and Heating	
Sound Absorbing Thermal Insulation Material		Polyethylene Foam	Polyethylene Foam	Polyethylene Foam	Polyethylene Foam	
Piping Connections	Liquid Pipes	mm φ6.4 (Flare Connection)	φ6.4 (Flare Connection)	φ6.4 (Flare Connection)	φ9.5 (Flare Connection)	
	Gas Pipes	mm φ12.7 (Flare Connection)	φ12.7 (Flare Connection)	φ12.7 (Flare Connection)	φ15.9 (Flare Connection)	
	Drain Pipe	mm VP25 ( External Dia. 32 Internal Dia. 25 )	VP25 ( External Dia. 32 Internal Dia. 25 )	VP25 ( External Dia. 32 Internal Dia. 25 )	VP25 ( External Dia. 32 Internal Dia. 25 )	
Machine Weight	kg	31	31	31	34	
★5 Sound Level (H/L) (220V)	dBA	38/33	38/33	40/34	42/37	
Safety Devices		Fuse, Thermal Fuse for Fan Motor	Fuse, Thermal Fuse for Fan Motor	Fuse, Thermal Fuse for Fan Motor	Fuse, Thermal Fuse for Fan Motor	
Refrigerant Control		Electronic Expansion Valve	Electronic Expansion Valve	Electronic Expansion Valve	Electronic Expansion Valve	
Connectable Outdoor Units		R410A M Series	R410A M Series	R410A M Series	R410A M Series	
Decoration Panels (Option)	Model		BYK45FJW1	BYK45FJW1	BYK45FJW1	BYK71FJW1
	Panel Color		White (10Y9/0.5)	White (10Y9/0.5)	White (10Y9/0.5)	White (10Y9/0.5)
	Dimensions: (HxWxD)	mm	70x1,240x800	70x1,240x800	70x1,240x800	70x1,440x800
	Air Filter		Resin Net (with Mold Resistant)	Resin Net (with Mold Resistant)	Resin Net (with Mold Resistant)	Resin Net (with Mold Resistant)
	Weight	kg	8.5	8.5	8.5	9.5
Standard Accessories		Operation Manual, Installation Manual, Paper Pattern for Installation, Drain Hose, Clamp Metal, Insulation for Fitting, Sealing Pads, Clamps, Screws, Washers, Positioning Jig for Installation, Insulation for Hanger Bracket, Air Outlet Blocking Pad.	Operation Manual, Installation Manual, Paper Pattern for Installation, Drain Hose, Clamp Metal, Insulation for Fitting, Sealing Pads, Clamps, Screws, Washers, Positioning Jig for Installation, Insulation for Hanger Bracket, Air Outlet Blocking Pad.	Operation Manual, Installation Manual, Paper Pattern for Installation, Drain Hose, Clamp Metal, Insulation for Fitting, Sealing Pads, Clamps, Screws, Washers, Positioning Jig for Installation, Insulation for Hanger Bracket, Air Outlet Blocking Pad.	Operation Manual, Installation Manual, Paper Pattern for Installation, Drain Hose, Clamp Metal, Insulation for Fitting, Sealing Pads, Clamps, Screws, Washers, Positioning Jig for Installation, Insulation for Hanger Bracket, Air Outlet Blocking Pad.	
Drawing No.		3D038813				

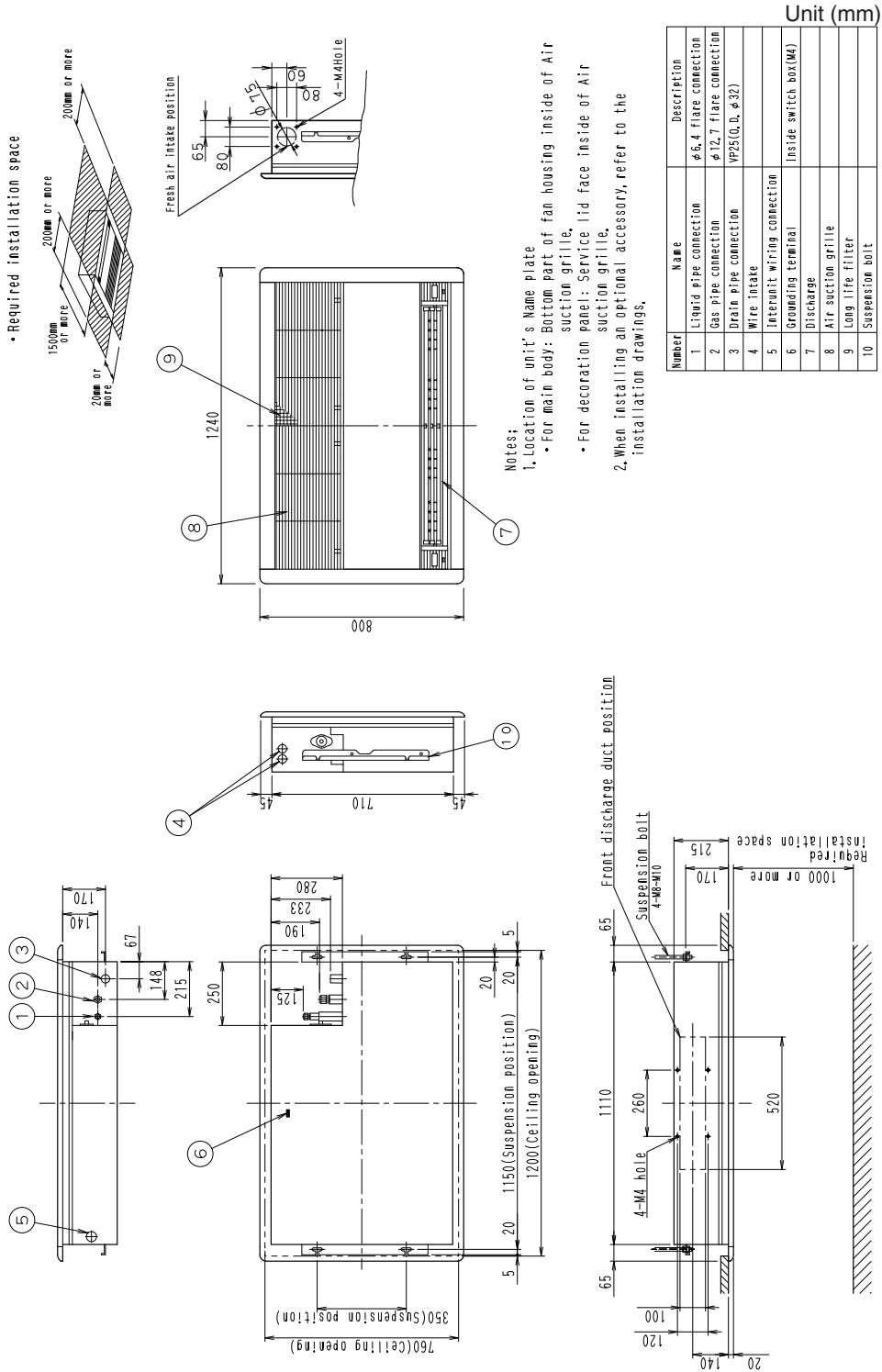
**Notes:**

- ★1 Indoor temp. : 27°CDB, 19.5°CWB / outdoor temp.: 35°CDB / Equivalent piping length: 7.5m, level difference: 0m.
- ★2 Indoor temp. : 27°CDB, 19.0°CWB / outdoor temp.: 35°CDB / Equivalent piping length: 7.5m, level difference: 0m.
- ★3 Indoor temp. : 20°CDB / outdoor temp.: 7°CDB, 6°CWB / Equivalent piping length: 7.5m, level difference: 0m. (Heat pump only)
  - 4 Capacities are net, including a deduction for cooling (an addition for heating) for indoor fan motor heat.
- ★5 Anechoic chamber conversion value, measured at a point 1m in front of the unit and 1m downward. During actual operation, these values are normally somewhat higher as a result of ambient conditions.
- 6 Refer to page 174 for Fan Motor Input.

Conversion Formulae
kcal/h=kWx860
Btu/h=kWx3414
cfm=m <sup>3</sup> /minx35.3

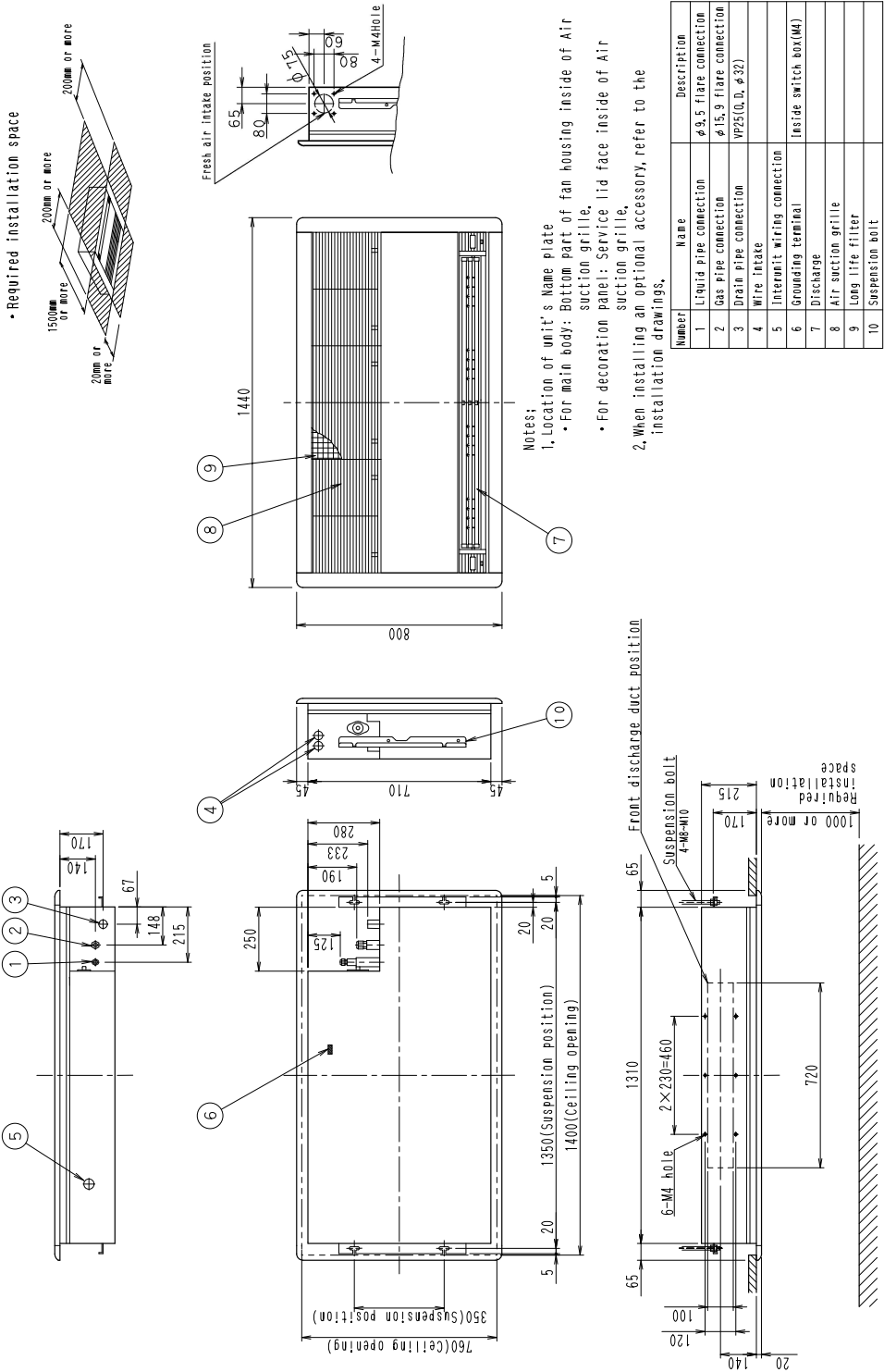
### 3. Dimensions

FXKQ25M + BYK45FJW1 (Decoration Panel)  
 FXKQ32M + BYK45FJW1 (Decoration Panel)  
 FXKQ40M + BYK45FJW1 (Decoration Panel)



C: 3D038840

**FXKQ63M + BYK71FJW1 (Decoration Panel)**



C:3D038841