

Model Name (Combination Unit)		REYQ44MY1B		REYQ46MY1B		
Model Name (Independent Unit)		REYQ12MY1B+REYQ16MY1B+REYQ16MY1B		REYQ14MY1B+REYQ16MY1B+REYQ16MY1B		
★1 Cooling Capacity (19.5°CWB)	kcal / h	110,000		116,000		
	Btu / h	432,000		455,000		
	kW	127		133		
★2 Cooling Capacity (19.0°CWB)	kW	123		129		
★3 Heating Capacity	kcal / h	118,000		125,000		
	Btu / h	470,000		496,000		
	kW	138		145		
Casing Color		Ivory White (5Y7.5/1)		Ivory White (5Y7.5/1)		
Dimensions: (H×W×D)		mm	(1600×1240×765)+(1600×1240×765)+(1600×1240×765)	(1600×1240×765)+(1600×1240×765)+(1600×1240×765)		
Heat Exchanger		Cross Fin Coil		Cross Fin Coil		
Comp.	Type		Hermetically Sealed Scroll Type		Hermetically Sealed Scroll Type	
	Piston Displacement	m³/h	(13.72+10.47)+(13.72+10.47+10.47)×2		(13.72+10.47+10.47)×3	
	Number of Revolutions	r.p.m	(6480, 2900), (6480, 2900×2)×2		(6480, 2900×2)×3	
	Motor Output×Number of Units	kW	(4.2+4.5)+(3.0+4.5+4.5)×2		(2.0+4.5+4.5)+(3.0+4.5+4.5)×2	
	Starting Method		Soft start		Soft start	
Fan	Type		Propeller Fan		Propeller Fan	
	Motor Output	kW	0.75×3		0.75×3	
	Air Flow Rate	m³/min	210+210+210		210+210+210	
	Drive		Direct Drive		Direct Drive	
Connecting Pipes	Liquid Pipe	mm	φ19.1 (Brazing Connection)		φ19.1 (Brazing Connection)	
	Suction Gas Pipe	mm	φ41.3 (Brazing Connection)		φ41.3 (Brazing Connection)	
	Discharge Gas Pipe	mm	φ34.9 (Brazing Connection)		φ34.9 (Brazing Connection)	
	Oil Equalizing Pipe	mm	φ6.4 (Flare Connection)		φ6.4 (Flare Connection)	
Machine Weight		kg	295+340+340		340+340+340	
Safety Devices		High Pressure Switch, Fan Driver Overload Protector, Over Current Relay, Inverter Overload Protector, Fusible Plugs		High Pressure Switch, Fan Driver Overload Protector, Over Current Relay, Inverter Overload Protector, Fusible Plugs		
Defrost Method		Deicer		Deicer		
Capacity Control		%	4~100		3~100	
Refrigerant	Refrigerant Name		R410A		R410A	
	Charge	kg	17.3+20.1+20.1		18.8+20.1+20.1	
	Control		Electronic Expansion Valve		Electronic Expansion Valve	
Refrigerator Oil	Synthetic (ether) oil		Synthetic (ether) oil		Synthetic (ether) oil	
	Charge Volume	L	(1.9+1.6)+(1.9+1.6+1.6)+(1.9+1.6+1.6)		(1.9+1.6+1.6)+(1.9+1.6+1.6)+(1.9+1.6+1.6)	
Standard Accessories		Installation Manual, Operation Manual, Connection Pipes, Clamps		Installation Manual, Operation Manual, Connection Pipes, Clamps		
Drawing No.		4D039033A, 4D039035A		4D039034A, 4D039035A		

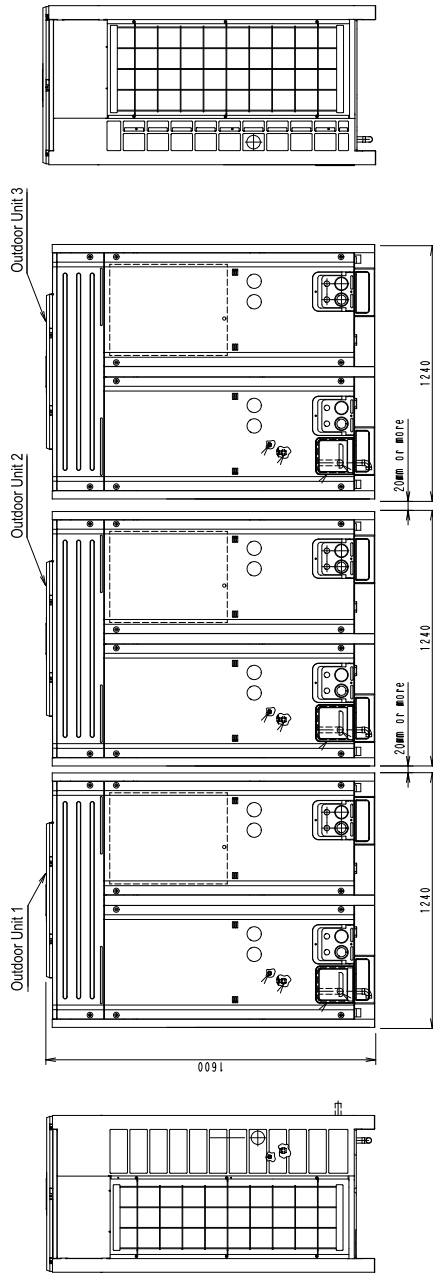
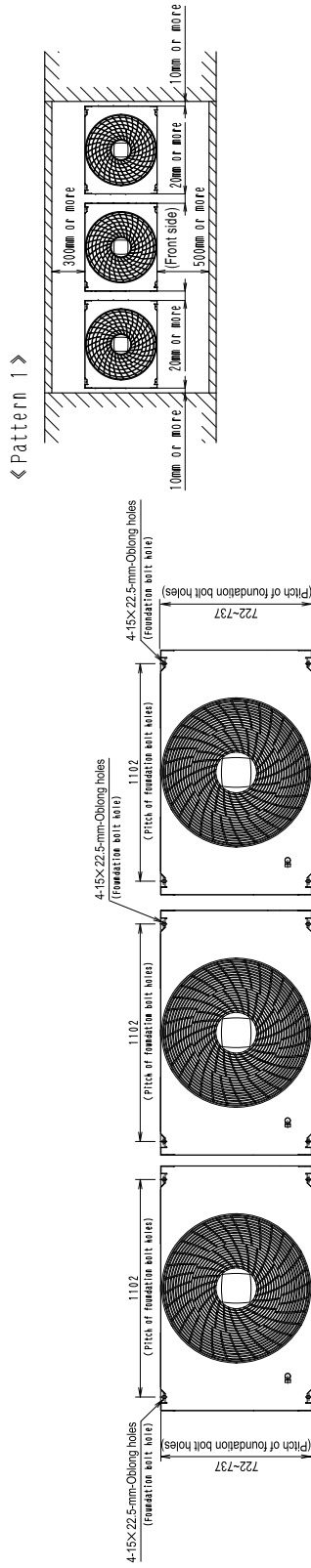
Notes:

- ★1 Indoor temp. : 27°CDB, 19.5°CWB / outdoor temp. : 35°CDB / Equivalent piping length : 7.5m, level difference : 0m.
- ★2 Indoor temp. : 27°CDB, 19.0°CWB / outdoor temp. : 35°CDB / Equivalent piping length : 7.5m, level difference : 0m.
- ★3 Indoor temp. : 20°CDB / outdoor temp. : 7°CDB, 6°CWB / Equivalent piping length : 7.5m, level difference : 0m.
- 4 The power input (PI) (Comp. + Outdoor Fan Motor) : Refer to P.389-583.

Conversion Formulae

kcal/h=kW×860
 Btu/h=kW×3414
 cfm=m³/min×35.3

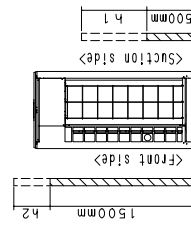
REYQ44M
REYQ46M



Notes: 1 Heights of walls in case of pattern 1:

Front : 1500mm
Suction side : 500mm
Side : Height unrestricted

- 2 If the above wall heights are exceeded then h1/2 and h2/2 should be added to the front and suction side service spaces respectively as shown in the following figure.
- 3 When installing the units the most appropriate pattern should be selected from those shown above in order to obtain the best fit in the space available always bearing in mind the need to leave enough room for a person to pass between units and wall and for the air to circulate freely (if more units are to be installed than are catered for in the above patterns your layout should take account of the possibility of short circuits.)
- 4 The units should be installed to leave sufficient space at the front for the on site refrigerant piping work to be carried out comfortably.



Model Name	Outdoor Unit 1	Outdoor Unit 2	Outdoor Unit 3	Drawing No.
REYQ44M	RXYQ16M	RXYQ16M	RXYQ12M	3D038962C
REYQ46M	RXYQ16M	RXYQ16M	RXYQ14M	3D038962C
REYQ48M	RXYQ16M	RXYQ16M	RXYQ16M	3D038962C
REYQ44M	REYQ16M	REYQ16M	REYQ12M	3D039586A
REYQ46M	REYQ16M	REYQ16M	REYQ14M	3D039586A
REYQ48M	REYQ16M	REYQ16M	REYQ16M	3D039586A

(V8132)