

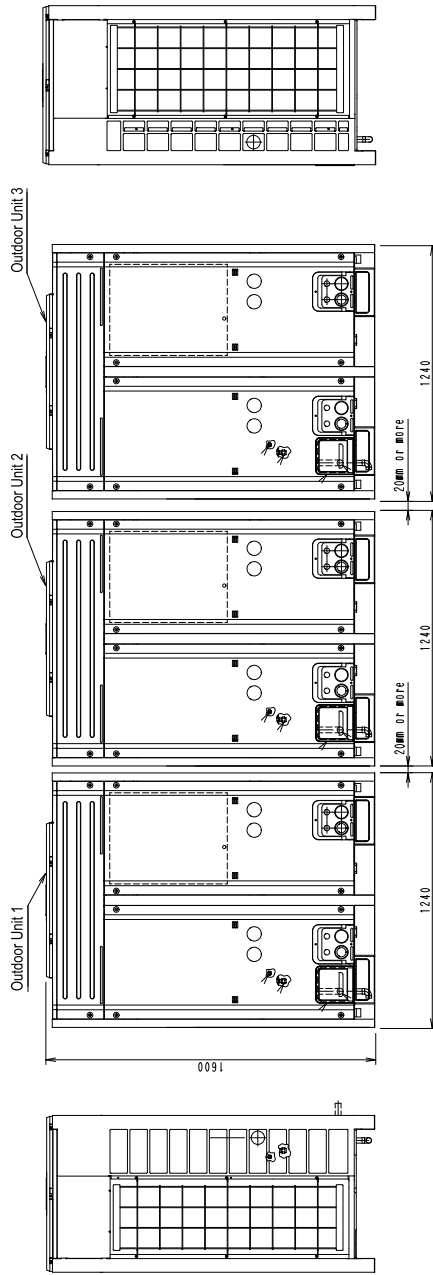
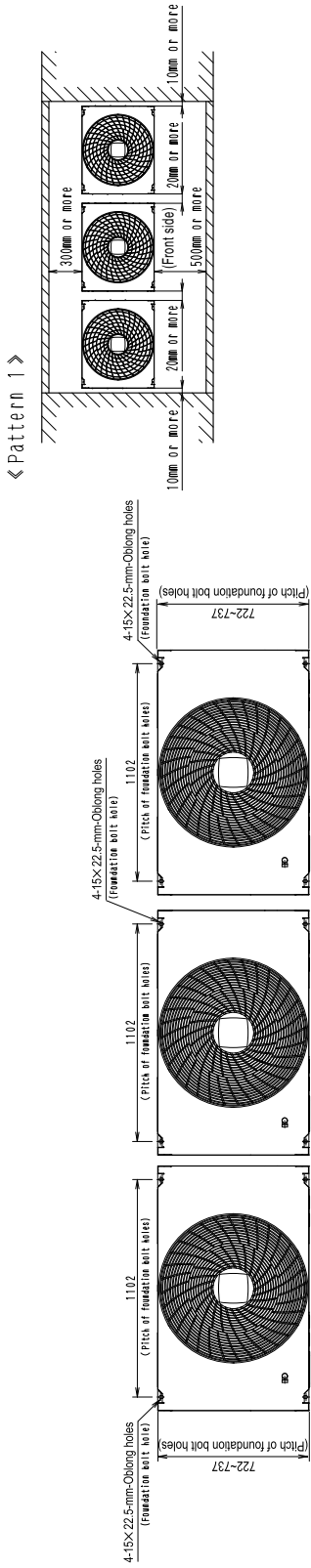
Model Name (Combination Unit)		REYQ48MY1B	
Model Name (Independent Unit)		REYQ16MY1B+REYQ16MY1B+REYQ16MY1B	
★1 Cooling Capacity (19.5°CWB)	kcal / h	120,000	
	Btu / h	471,000	
	kW	138	
★2 Cooling Capacity (19.0°CWB)	kW	134	
★3 Heating Capacity	kcal / h	129,000	
	Btu / h	513,000	
	kW	150	
Casing Color		Ivory White (5Y7.5/1)	
Dimensions: (H×W×D)		mm	(1600×1240×765)+(1600×1240×765)+(1600×1240×765)
Heat Exchanger		Cross Fin Coil	
Comp.	Type		Hermetically Sealed Scroll Type
	Piston Displacement	m³/h	(13.72+10.47+10.47)×3
	Number of Revolutions	r.p.m	(6480, 2900×2)×3
	Motor Output×Number of Units	kW	(3.0+4.5+4.5)×3
	Starting Method		Soft start
Fan	Type		Propeller Fan
	Motor Output	kW	0.75×3
	Air Flow Rate	m³/min	210+210+210
	Drive		Direct Drive
Connecting Pipes	Liquid Pipe	mm	φ19.1 (Brazing Connection)
	Suction Gas Pipe	mm	φ41.3 (Brazing Connection)
	Discharge Gas Pipe	mm	φ34.9 (Brazing Connection)
	Oil Equalizing Pipe	mm	φ6.4 (Flare Connection)
Machine Weight	kg	340+340+340	
Safety Devices		High Pressure Switch, Fan Driver Overload Protector, Over Current Relay, Inverter Overload Protector, Fusible Plugs	
Defrost Method		Deicer	
Capacity Control	%	3~100	
Refrigerant	Refrigerant Name		R410A
	Charge	kg	20.1+20.1+20.1
	Control		Electronic Expansion Valve
Refrigerator Oil			Synthetic (ether) oil
	Charge Volume	L	(1.9+1.6+1.6)+(1.9+1.6+1.6)+(1.9+1.6+1.6)
Standard Accessories		Installation Manual, Operation Manual, Connection Pipes, Clamps	
Drawing No.		4D039035A	

Notes:

- ★1 Indoor temp. : 27°CDB, 19.5°CWB / outdoor temp. : 35°CDB / Equivalent piping length : 7.5m, level difference : 0m.
- ★2 Indoor temp. : 27°CDB, 19.0°CWB / outdoor temp. : 35°CDB / Equivalent piping length : 7.5m, level difference : 0m.
- ★3 Indoor temp. : 20°CDB / outdoor temp. : 7°CDB, 6°CWB / Equivalent piping length : 7.5m, level difference : 0m.
- 4 The power input (PI) (Comp. + Outdoor Fan Motor) : Refer to P.389-583.

Conversion Formulae
kcal/h=kW×860
Btu/h=kW×3414
cfm=m³/min×35.3

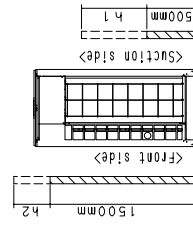
REYQ48M



Notes: 1 Heights of walls in case of pattern 1:

Front : 1500mm
Suction side : 500mm
Side : Height unrestricted

- 2 If the above wall heights are exceeded then h1/2 and h2/2 should be added to the front and suction side service spaces respectively as shown in the following figure.
- 3 When installing the units the most appropriate pattern should be selected from those shown above in order to obtain the best fit in the space available always bearing in mind the need to leave enough room for a person to pass between units and wall and for the air to circulate freely (if more units are to be installed than are catered for in the above patterns your layout should take account of the possibility of short circuits.)
- 4 The units should be installed to leave sufficient space at the front for the on site refrigerant piping work to be carried out comfortably.



Model Name	Outdoor Unit 1	Outdoor Unit 2	Outdoor Unit 3	Drawing No.
RXYQ44M	RXYQ16M	RXYQ16M	RXYQ12M	3D038962C
RXYQ46M	RXYQ16M	RXYQ16M	RXYQ14M	3D038962C
RXYQ48M	RXYQ16M	RXYQ16M	RXYQ16M	3D038962C
REYQ44M	REYQ16M	REYQ16M	REYQ12M	3D039586A
REYQ46M	REYQ16M	REYQ16M	REYQ14M	3D039586A
REYQ48M	REYQ16M	REYQ16M	REYQ16M	3D039586A

(V8132)